

Caramelizer RoboSugar & RoboSugar Auto Parts List

№	Designation	Description
1	AT1	Thermostat 90°C
2	BZ	Sound Generator
3	BT	Temperature sensor (RTD) Pt-100
4	DC2	Programmable Logic Controller K506
5	DC2	Programmable Logic Controller K504 (only for RoboSugar s/a)
6	DC1	Temperature controller
7	EK1, EK2, EK3	Heater 1500W
8	HL1, HL2, HL3	Signal Lamp
9	K1, K2, K3, K4, K5, K6, K7	Electromagnetic Relay
10	KM2, KM3	Reversing Contactor
11	KM1	Contactora, 9A
12	KM4	Contactora, 16A
13	M1	Electric Gear Motor
14	M2	Electric Motor
15	MG1, MG2	Electromagnet
16	Q1	Circuit Breaker
17	S1	Switch 3-position
18	S1	Mode switch (only for RoboSugar)
19	S2, S3, S4	Pushbutton Yellow
20		Pushbutton Black
21		Pushbutton Red
22	TV12	Power Supply
23	VS1, VS2, VS3	Solid State Relay
24		Gas Spring
25		Gas Damper
26		Cable Assembly
27		V-belt
28		Conveyor Mesh
29		Scraper Shaft
30		Scraper Kettle
31		Set of Gear
32		Bearing
33		Driven Pulley
34		Pulley Leading
35		Plastic Box
36		Plastic Tank

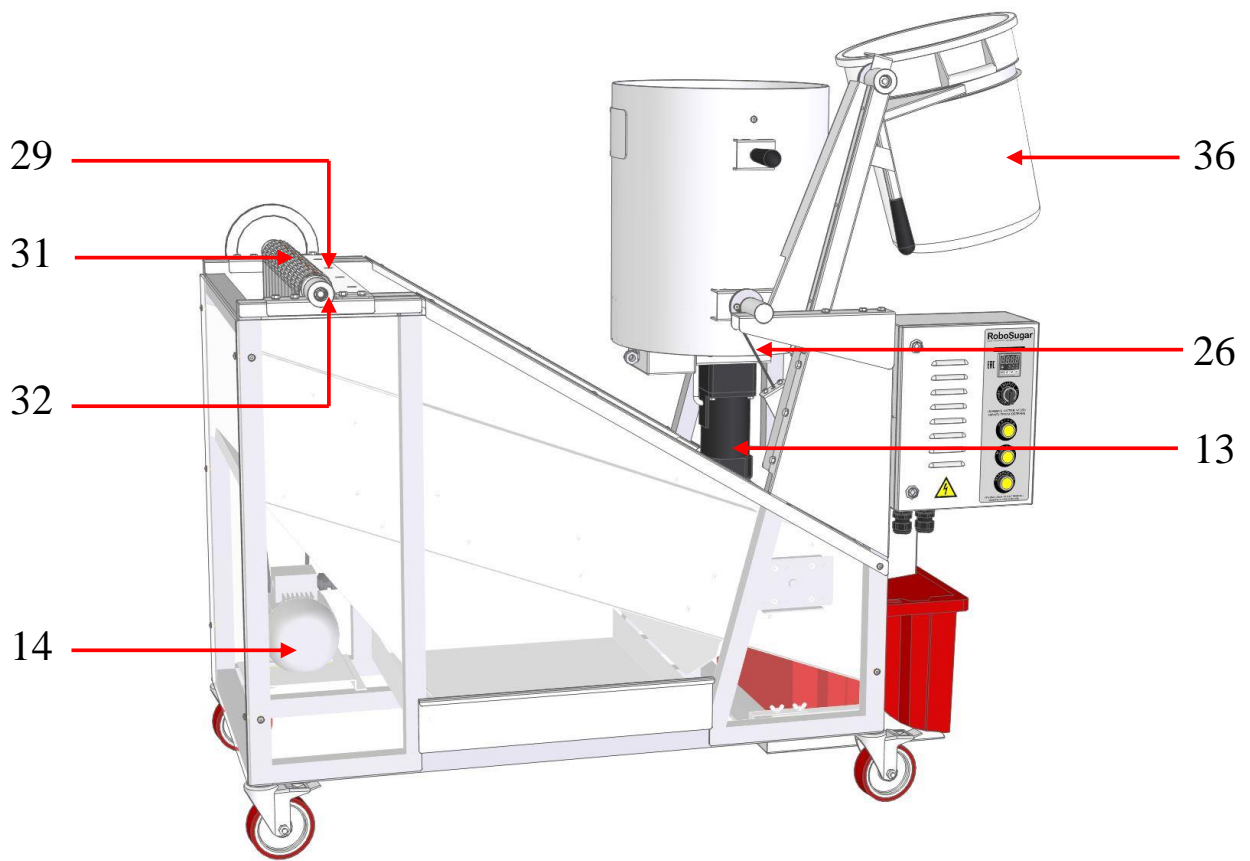


Fig. 1 General view of the machine (front view)

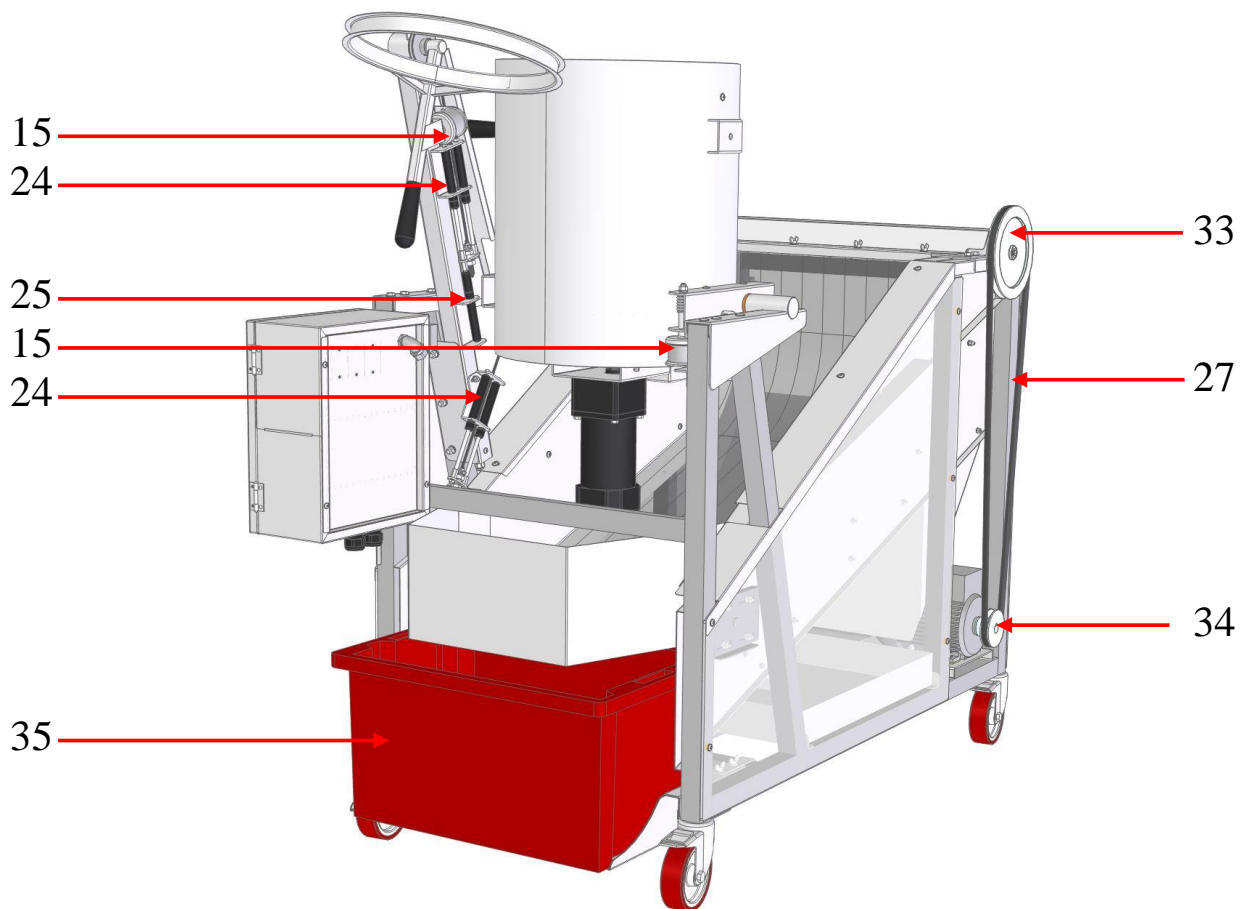


Fig. 2 General view of the machine (back view)

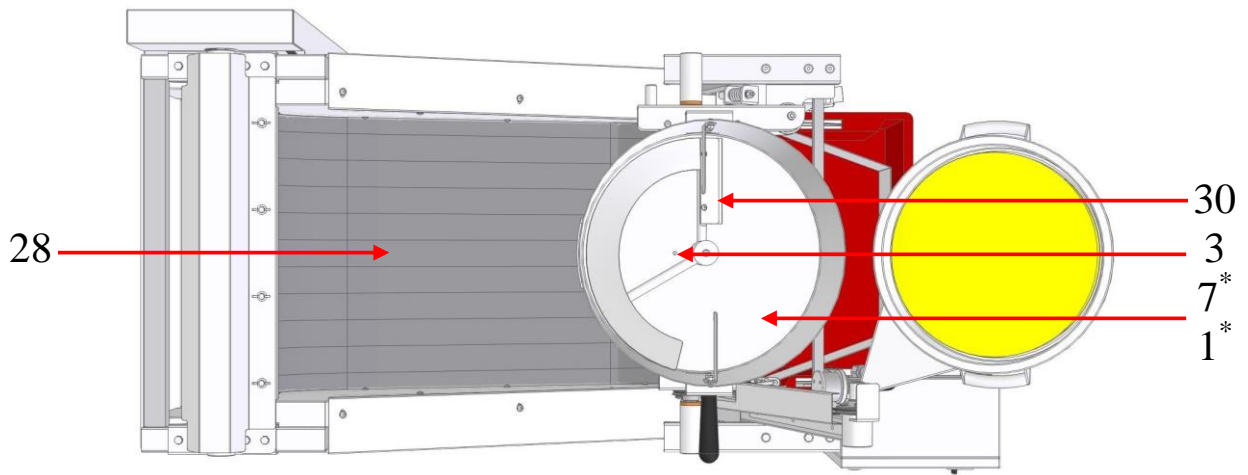


Fig. 2 General view of the machine (top view)

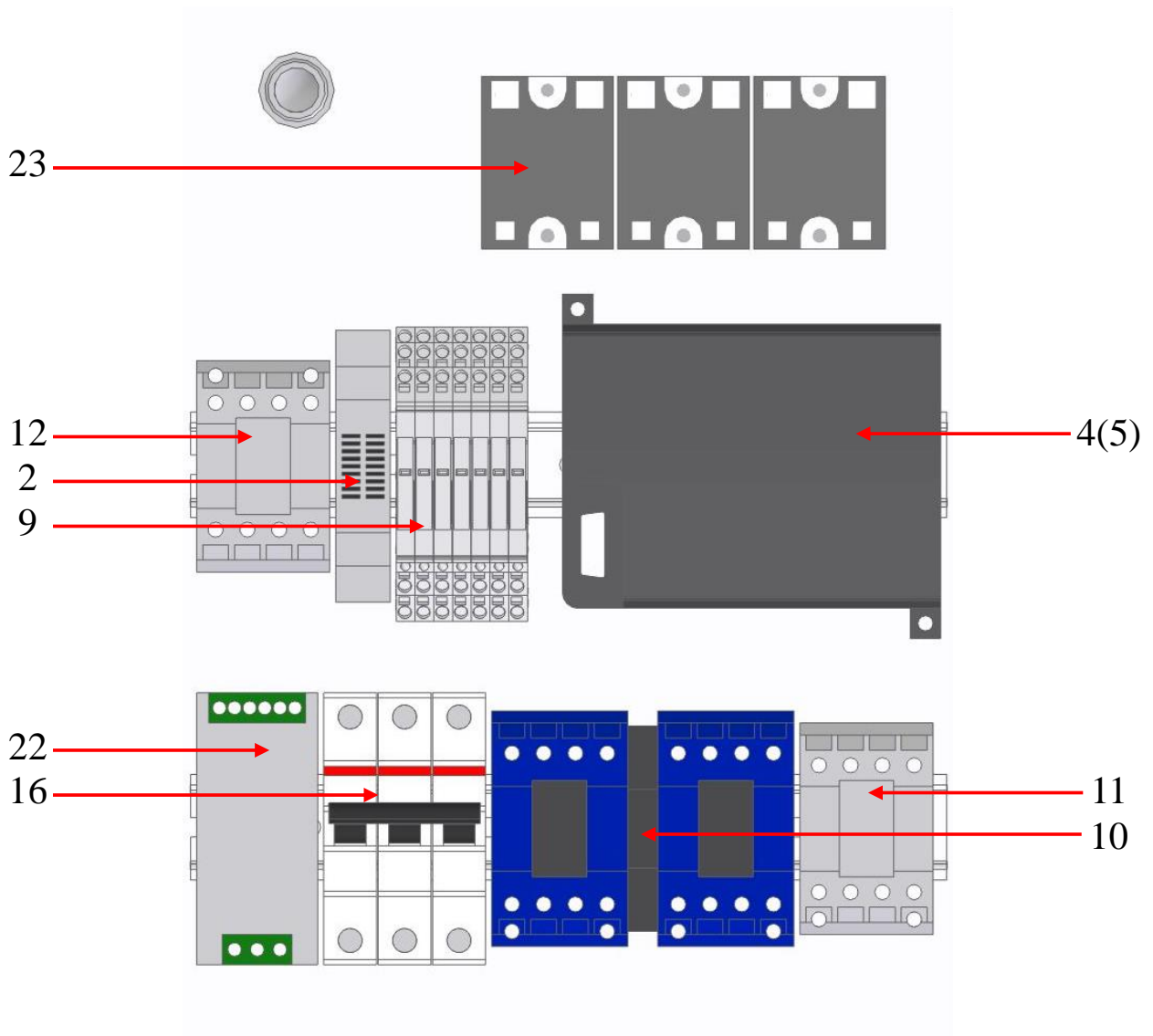


Fig. 4 Control unit (inside view)

* – elements are not shown in figure

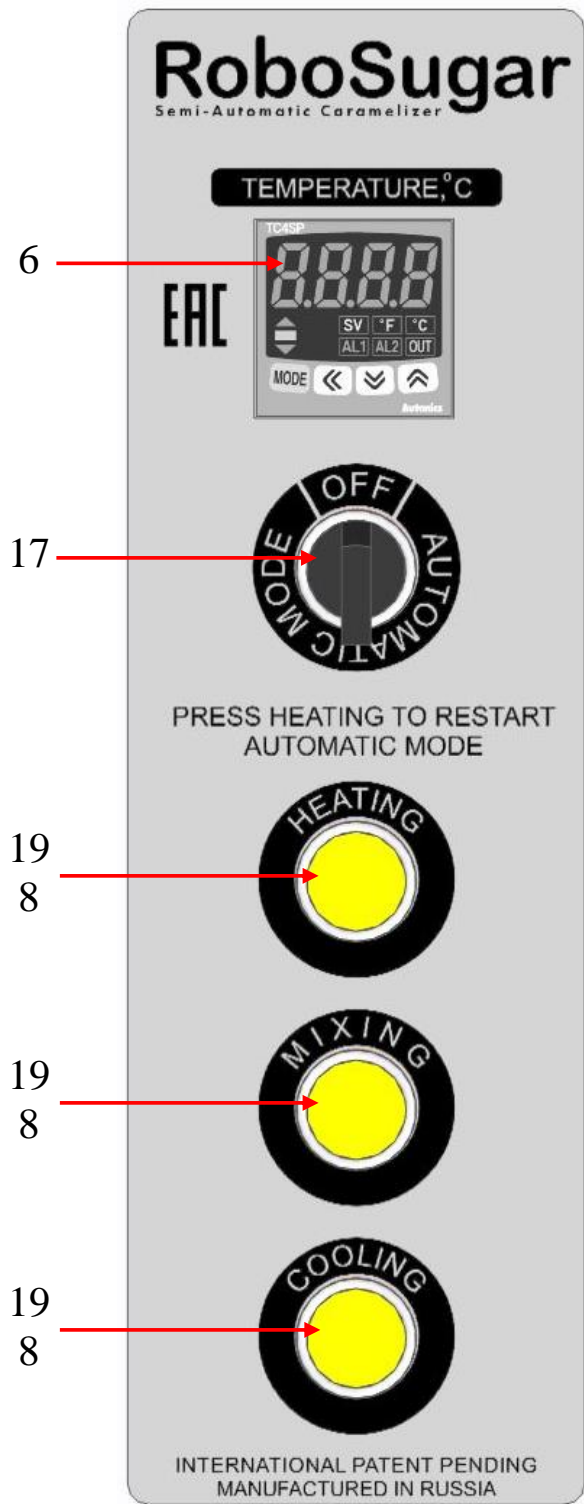


Fig. 5 The control unit for the model RoboSugar Auto (front view)

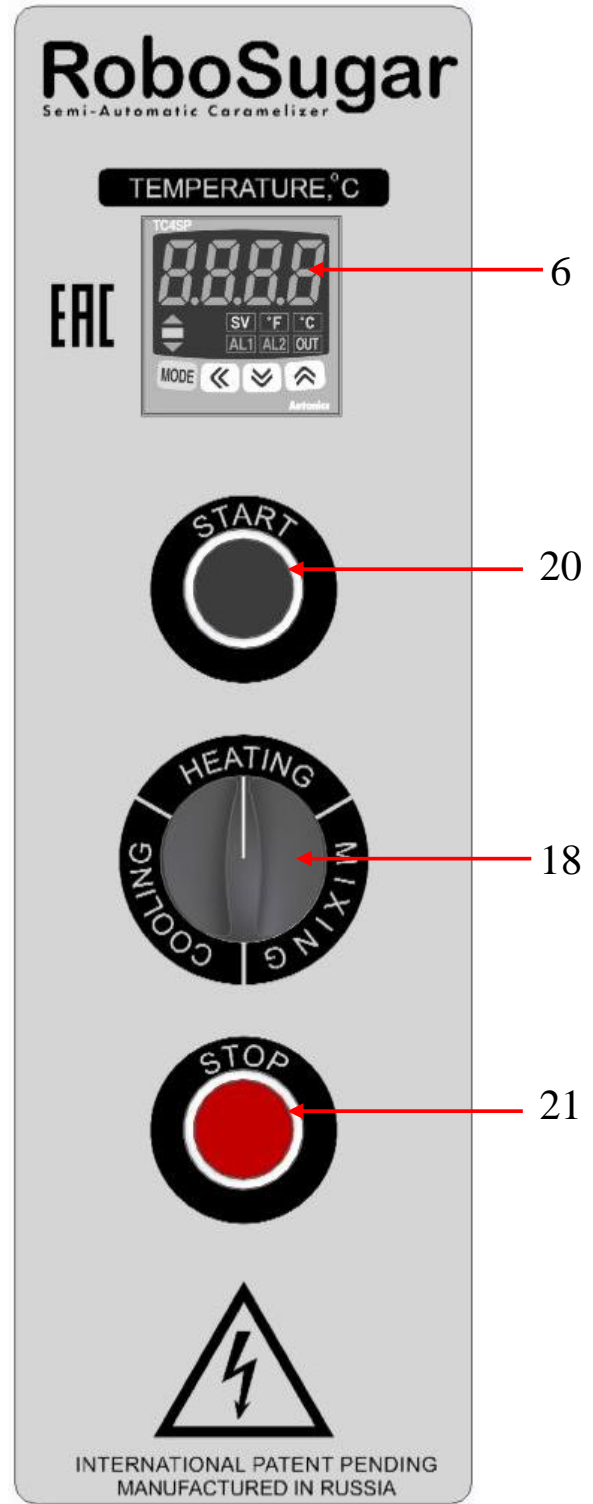


Fig. 6 The control unit for the model RoboSugar (front view)